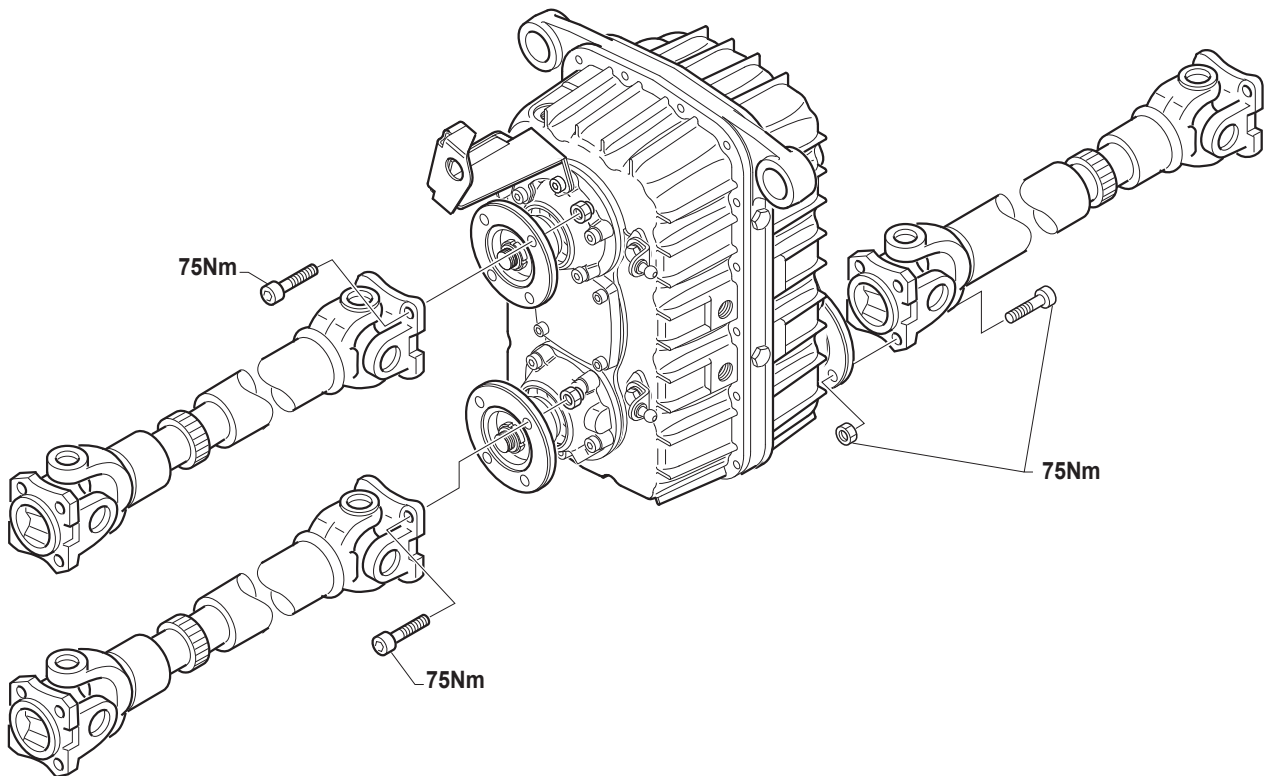
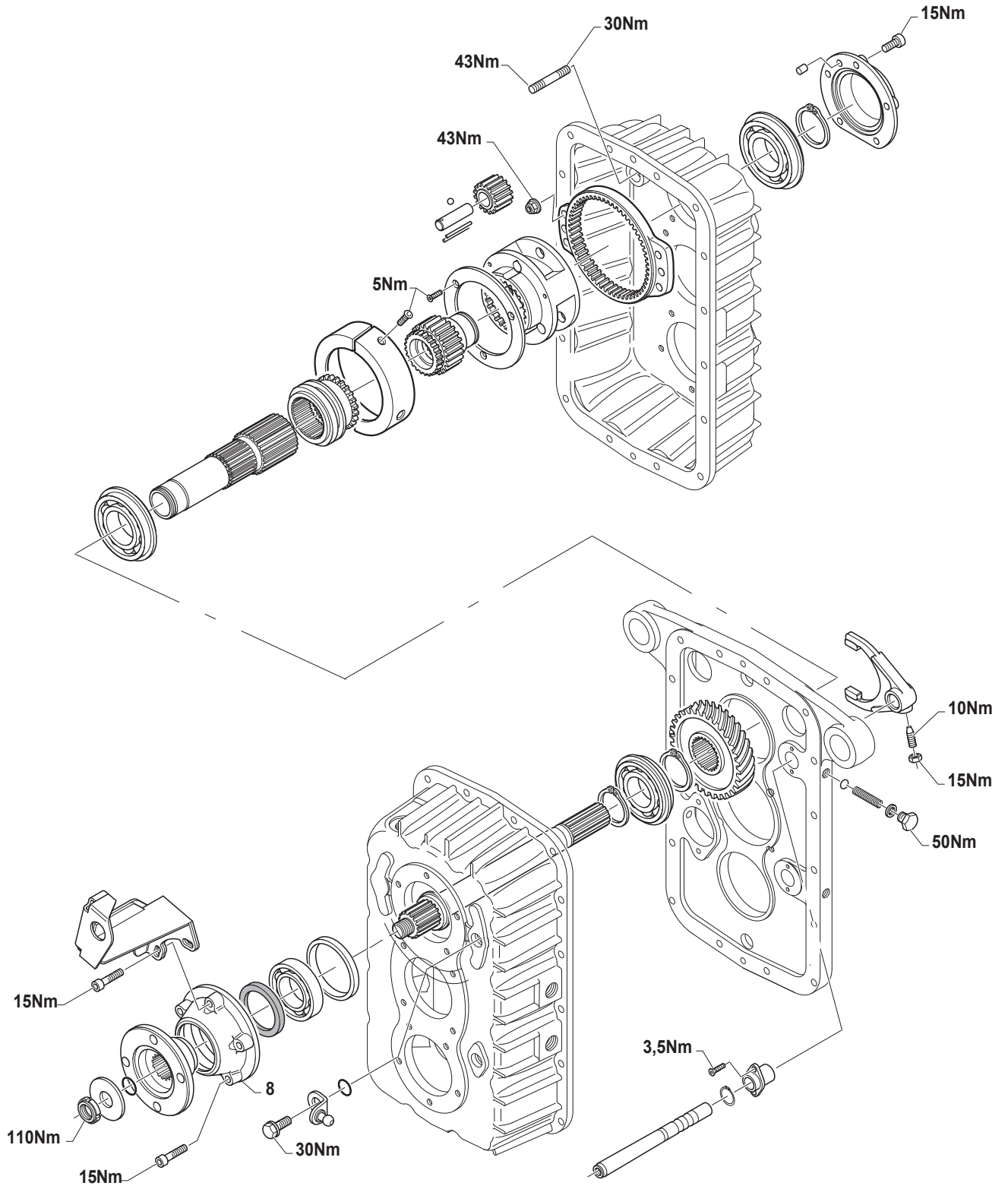


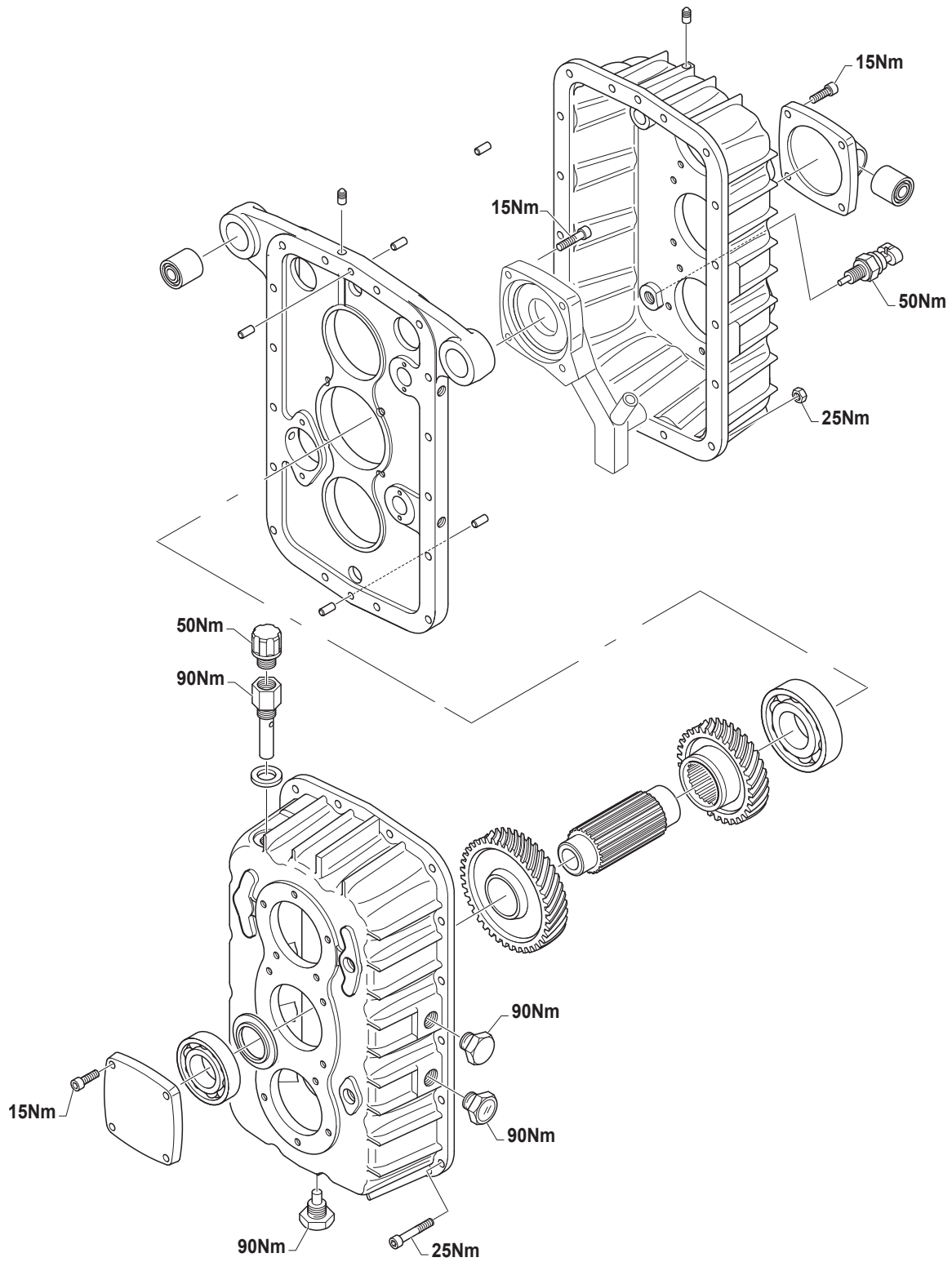
2

TIGHTENING TORQUES

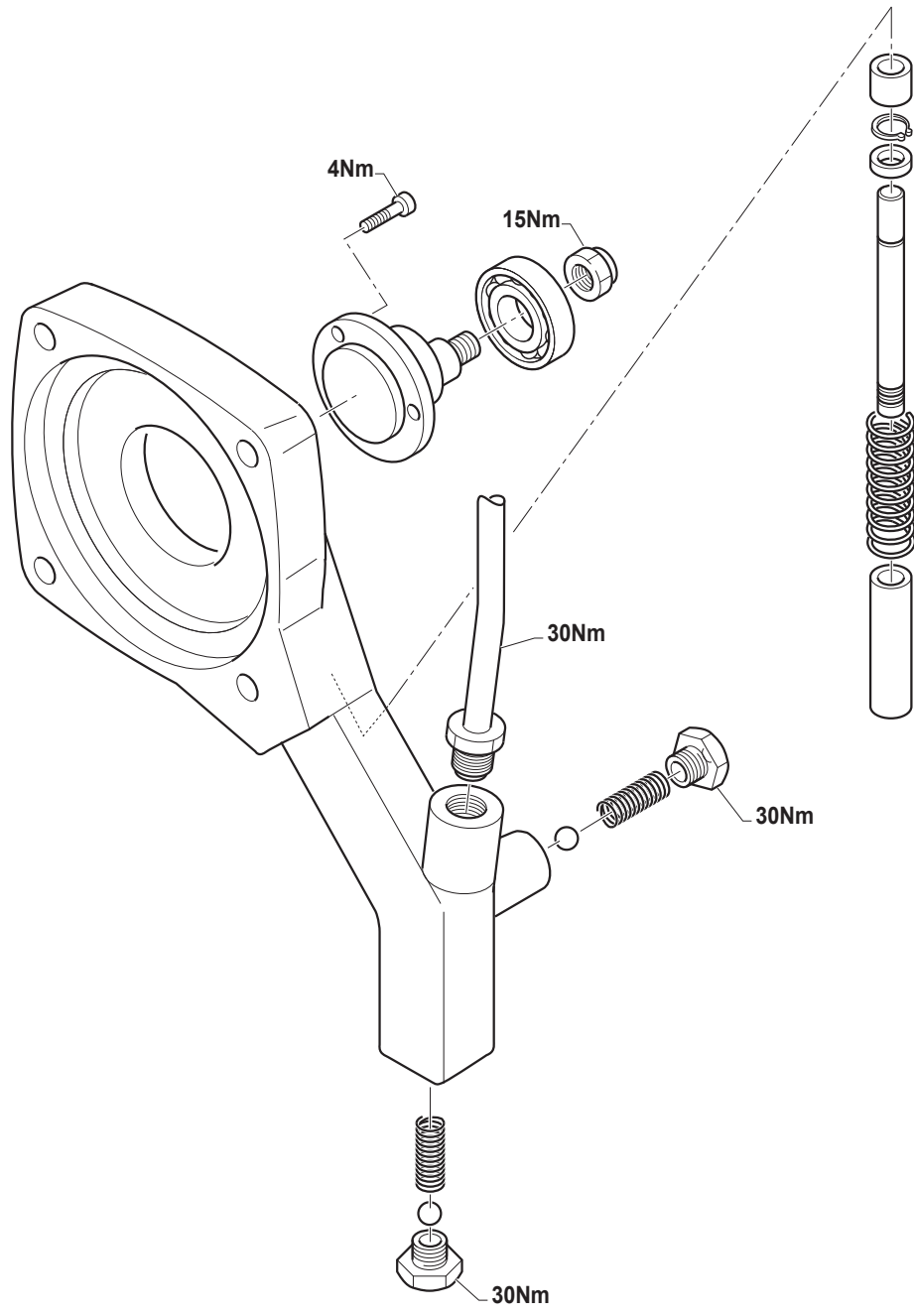
Final drive and drive shafts

Upper shaft

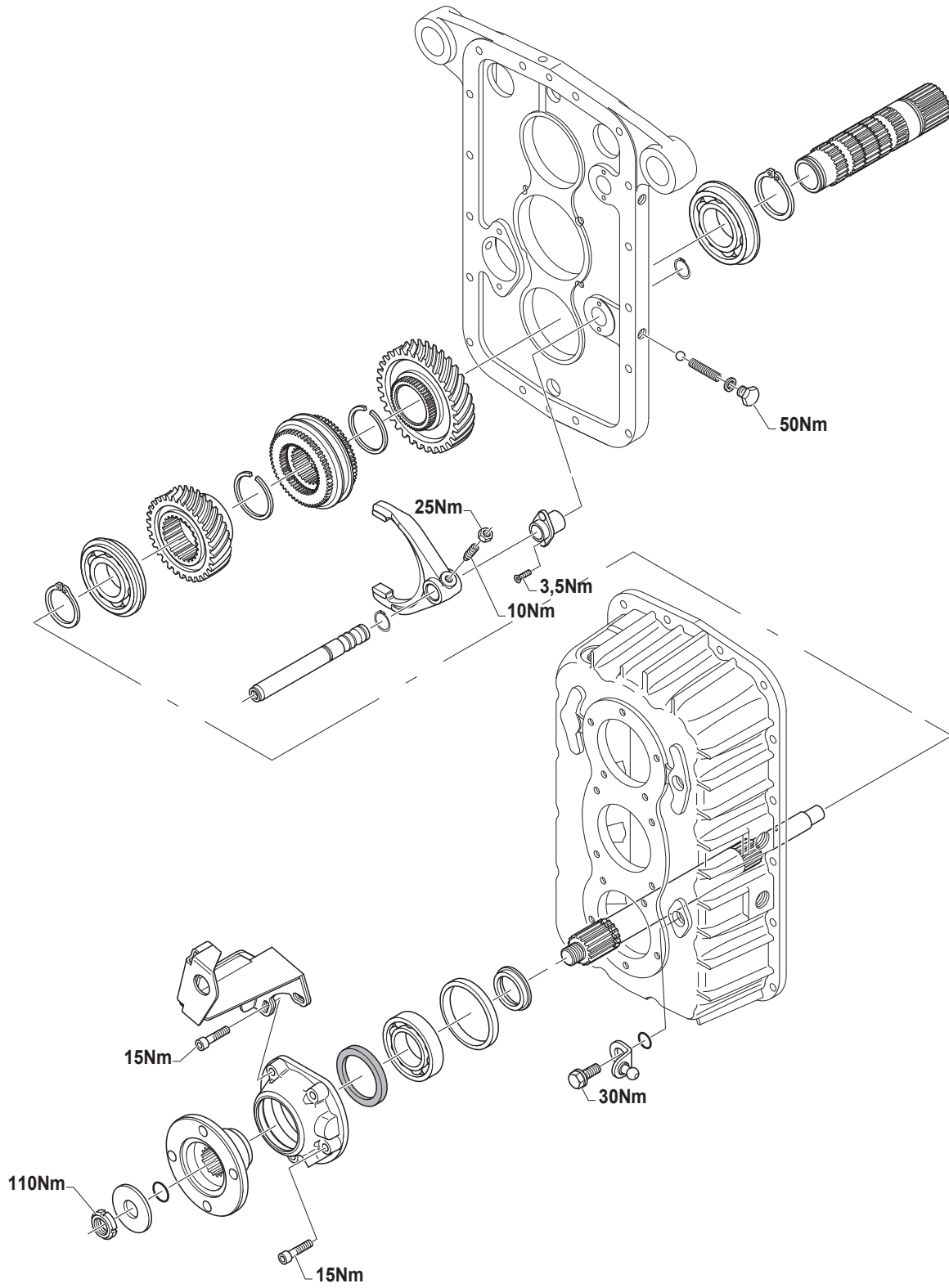


Intermediate shaft

Intermediate shaft – lubricant pump



Lower shaft



Lower shaft

